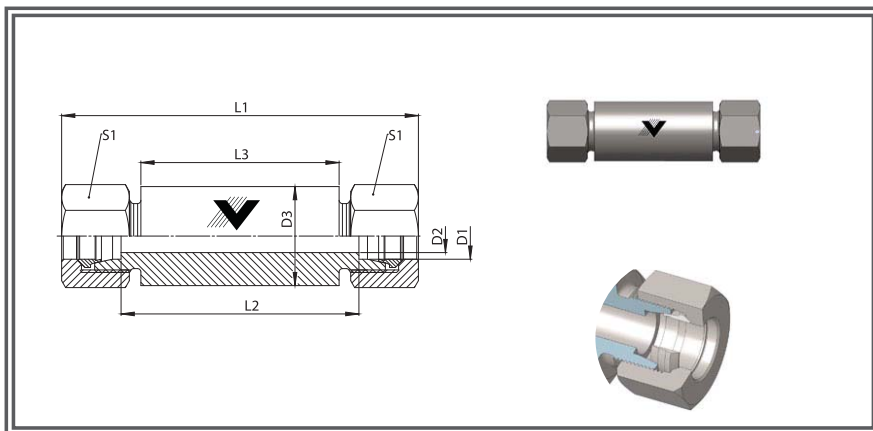


UNION PASAMURO SOLDABLE
C2D11

Straight Weld Bulkhead Connector
L and S Series

SERIES:
LL= Doble Ligera
L= Ligera
S= Pesada



CODIGO	MATERIAL	TIPO	D1(MM)	D2(MM)	L1(MM)	L2(MM)	S1(MM)	BAR	PSI
101617	ACERO INOXIDABLE	L	6	4	86	56	14	500	7251.9
101619	ACERO INOXIDABLE	L	8	6	86	56	17	500	7251.9
101621	ACERO INOXIDABLE	L	10	8	88	58	19	500	7251.9
101623	ACERO INOXIDABLE	L	12	10	88	58	22	400	5801.5
101626	ACERO INOXIDABLE	L	15	12	100	70	27	400	5801.5
101629	ACERO INOXIDABLE	L	18	15	102	69	32	400	5801.5
101631	ACERO INOXIDABLE	L	22	19	106	73	36	250	3625.9
101633	ACERO INOXIDABLE	L	28	24	106	73	41	250	3625.9
101635	ACERO INOXIDABLE	L	35	30	114	71	50	250	3625.9
101637	ACERO INOXIDABLE	L	42	36	116	70	60	250	3625.9
101618	ACERO INOXIDABLE	S	6	4	90	60	17	800	11603.0
101620	ACERO INOXIDABLE	S	8	5	90	60	19	800	11603.0
101622	ACERO INOXIDABLE	S	10	7	92	59	22	800	11603.0
101624	ACERO INOXIDABLE	S	12	8	92	59	24	630	9137.4
101625	ACERO INOXIDABLE	S	14	10	108	72	27	630	9137.4
101628	ACERO INOXIDABLE	S	16	12	108	71	30	630	9137.4
101630	ACERO INOXIDABLE	S	20	16	114	71	36	420	6091.6
101632	ACERO INOXIDABLE	S	25	20	120	72	46	420	6091.6
101634	ACERO INOXIDABLE	S	30	25	126	73	50	420	6091.6
101636	ACERO INOXIDABLE	S	38	32	134	72	60	420	6091.6