

RACOR ORIENTABLE BSP S/METAL C2H11

High Pressure Banjo Elbow

L and S Series

Thread: BSPP

Sealing by external metallic sealing ring (DKRA)

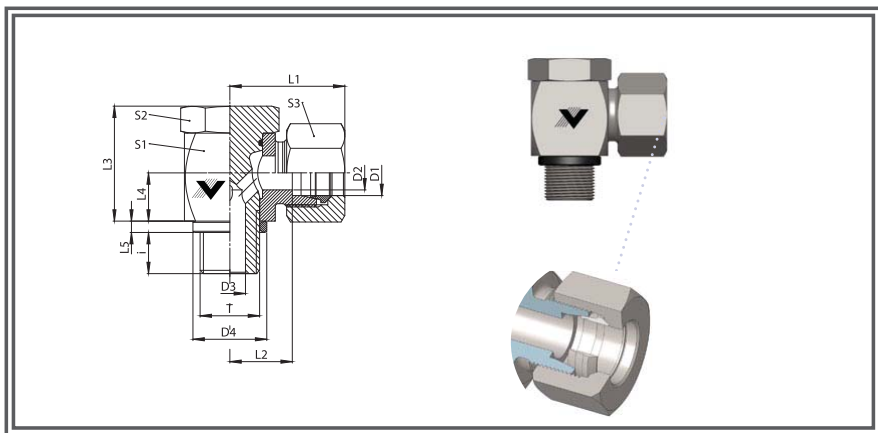
and O-ring Viton

SERIES:

LL= Doble Ligera

L= Ligera

S= Pesada



CODIGO	MATERIAL	TIPO	D1(MM)	T	D2(MM)	L1(MM)	L2(MM)	S1(MM)	BAR	PSI
101816	ACERO INOXIDABLE	L	6	1/8	4	27	12	17	250	3625.9
101820	ACERO INOXIDABLE	L	8	1/4	6	29	14,5	22	250	3625.9
101825	ACERO INOXIDABLE	L	10	1/4	8	30	15,5	22	250	3625.9
101831	ACERO INOXIDABLE	L	12	3/8	10	33	18	27	250	3625.9
101838	ACERO INOXIDABLE	L	15	1/2	12	36	21,5	32	250	3625.9
101842	ACERO INOXIDABLE	L	18	1/2	15	37	21	32	250	3625.9
101846	ACERO INOXIDABLE	L	22	3/4	19	44	27,5	41	160	2320.6
101850	ACERO INOXIDABLE	L	28	1	24	49	32	50	160	2320.6
101854	ACERO INOXIDABLE	L	35	1,1/4	30	57,5	36	60	160	2320.6
101858	ACERO INOXIDABLE	L	42	1,1/2	36	63,5	40,5	70	160	2320.6
101818	ACERO INOXIDABLE	S	6	1/4	4	31,5	16,5	22	315	4568.7
101823	ACERO INOXIDABLE	S	8	1/4	5	31,5	16,5	22	315	4568.7
101828	ACERO INOXIDABLE	S	10	3/8	7	35	18,5	27	315	4568.7
101834	ACERO INOXIDABLE	S	12	3/8	8	35	18,5	27	315	4568.7
101836	ACERO INOXIDABLE	S	14	1/2	10	40,5	22,5	32	315	4568.7
101840	ACERO INOXIDABLE	S	16	1/2	12	40,5	22	32	315	4568.7
101844	ACERO INOXIDABLE	S	20	3/4	16	48	26,5	41	160	2320.6
101848	ACERO INOXIDABLE	S	25	1	20	55,5	31,5	50	160	2320.6
101852	ACERO INOXIDABLE	S	30	1,1/4	25	63,5	37	60	160	2320.6
101856	ACERO INOXIDABLE	S	38	1,1/2	32	72,5	41,5	70	160	2320.6