

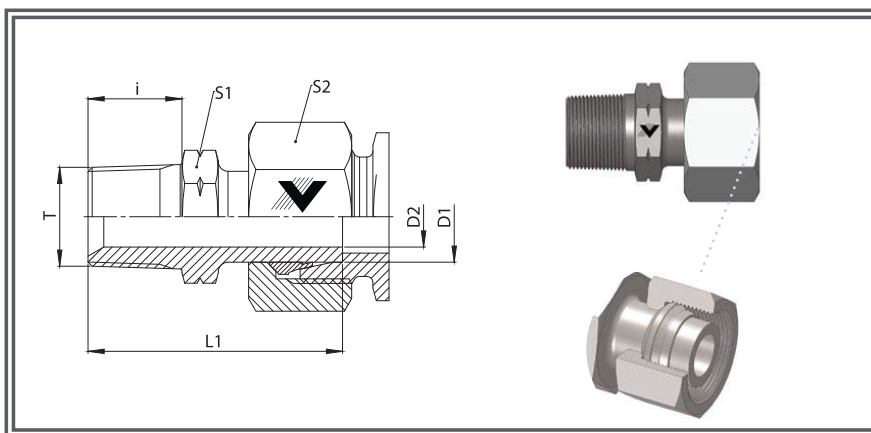
SECCION 4 STANDPIPE

RACOR T/GIRATORIA NPT
C2C13

Straight Standpipe Connector
L and S Series

Thread: NPT

SERIES:
LL= Doble Ligera
L= Ligera
S= Pesada



CODIGO	MATERIAL	TIPO	D1(MM)	T	D2(MM)	L1(MM)	S1(MM)	BAR	PSI
101269	ACERO INOXIDABLE	L	6	1/8	3,3	33	11	315	4568.7
101284	ACERO INOXIDABLE	L	8	1/4	4	40	14	315	4568.7
101305	ACERO INOXIDABLE	L	10	1/4	6,5	41	14	315	4568.7
101323	ACERO INOXIDABLE	L	12	3/8	8	42	19	315	4568.7
101351	ACERO INOXIDABLE	L	15	1/2	10	46,5	22	315	4568.7
101371	ACERO INOXIDABLE	L	18	1/2	13	49,5	22	315	4568.7
101388	ACERO INOXIDABLE	L	22	3/4	16,5	49	27	160	2320.6
101404	ACERO INOXIDABLE	L	28	1	22	55,5	36	160	2320.6
101417	ACERO INOXIDABLE	L	35	1,1/4	28	65,5	46	160	2320.6
101427	ACERO INOXIDABLE	L	42	1,1/2	34	67	50	160	2320.6
101276	ACERO INOXIDABLE	S	6	1/4	3,3	40	14	630	9137.37
101296	ACERO INOXIDABLE	S	8	1/4	4,3	40	14	630	9137.37
101313	ACERO INOXIDABLE	S	10	1/4	6	44	14	631	6251.12
101314	ACERO INOXIDABLE	S	10	3/8	6	44,5	19	630	9137.37
101334	ACERO INOXIDABLE	S	12	3/8	7,3	46,5	19	630	9137.37
101443	ACERO INOXIDABLE	S	14	1/2	9	52	22	630	9137.37
101360	ACERO INOXIDABLE	S	16	1/2	10,5	53,5	22	400	5801.5
101380	ACERO INOXIDABLE	S	20	3/4	13,5	58	27	400	5801.5
101396	ACERO INOXIDABLE	S	25	1	17,5	68	36	400	5801.5
101410	ACERO INOXIDABLE	S	30	1,1/4	22	73,5	46	400	5801.5
101422	ACERO INOXIDABLE	S	38	1,1/2	28,5	80	50	315	4568.7