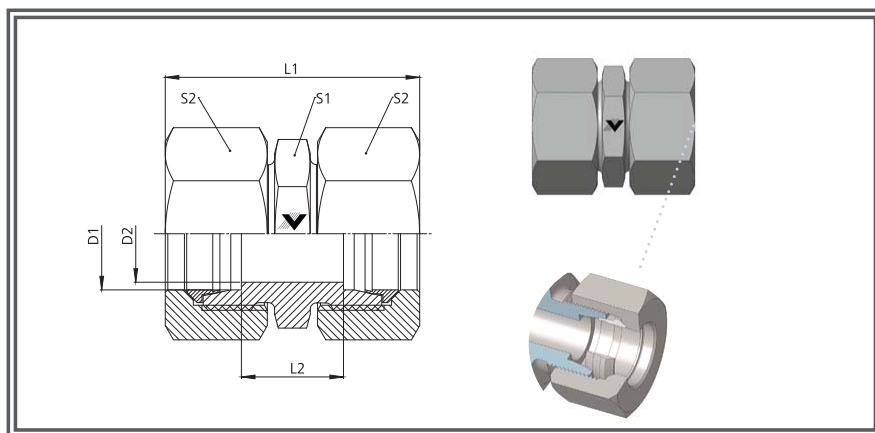


Straight Coupling
L and S Series

SERIES:
LL= Doble Ligera
L= Ligera
S= Pesada



CODIGO	MATERIAL	TIPO	D1 (MM)	D2 (MM)	L1(MM)	L2(MM)	S1(MM)	BAR	PSI
102947	ACERO INOXIDABLE	LL	4	3	32	12	9	100	1450.4
102949	ACERO INOXIDABLE	LL	6	4,5	32	11	12	100	1450.4
102953	ACERO INOXIDABLE	LL	8	6	35	12	12	100	1450.4
102956	ACERO INOXIDABLE	LL	10	8	35	12	14	100	1450.4
203390	ACERO INOXIDABLE	LL	12	7	35	11	17	100	1450.4
102948	ACERO INOXIDABLE	L	6	4	40	10	12	500	7251.9
102952	ACERO INOXIDABLE	L	8	6	41	11	14	500	7251.9
102955	ACERO INOXIDABLE	L	10	8	43	13	17	500	7251.9
102958	ACERO INOXIDABLE	L	12	10	44	14	19	400	5801.5
102964	ACERO INOXIDABLE	L	15	12	46	16	24	400	5801.5
102966	ACERO INOXIDABLE	L	18	15	49	16	27	400	5801.5
102969	ACERO INOXIDABLE	L	22	19	53	20	32	250	3625.9
102972	ACERO INOXIDABLE	L	28	24	54	21	41	250	3625.9
102974	ACERO INOXIDABLE	L	35	30	63	20	46	250	3625.9
102976	ACERO INOXIDABLE	L	42	36	67	21	55	250	3625.9
102950	ACERO INOXIDABLE	S	6	4	46	16	14	800	11603.0
102954	ACERO INOXIDABLE	S	8	5	48	18	17	800	11603.0
102957	ACERO INOXIDABLE	S	10	7	50	17	19	800	11603.0
102959	ACERO INOXIDABLE	S	12	8	52	19	22	630	9137.4
102963	ACERO INOXIDABLE	S	14	10	57	22	24	630	9137.4
102965	ACERO INOXIDABLE	S	16	12	58	21	27	630	9137.4
102968	ACERO INOXIDABLE	S	20	16	66	23	32	420	6091.6
102971	ACERO INOXIDABLE	S	25	20	74	26	41	420	6091.6
102973	ACERO INOXIDABLE	S	30	25	80	27	46	420	6091.6
102975	ACERO INOXIDABLE	S	38	32	91	29	55	420	6091.6