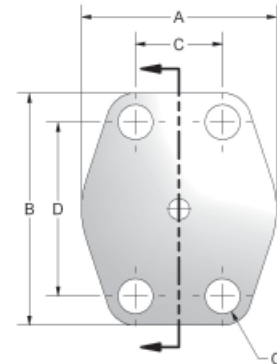
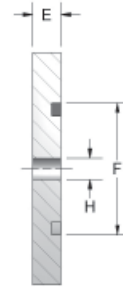
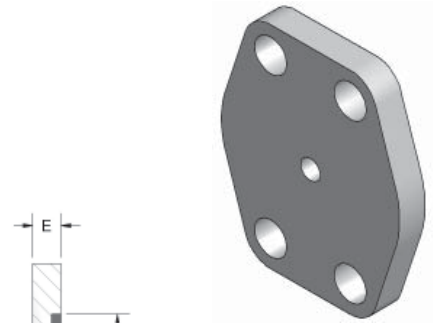


CODE 61 ORIFICE PLATE									
PART NO.	PAD SIZE	A	B	C	D	E	F	G	H DIA.
AOP-___-0861	.50	1.81	2.12	.688	1.500	.33	1.000	.344	CUSTOMER SPECIFIED
AOP-___-1261	.75	2.06	2.56	.875	1.875	.33	1.250	.413	
AOP-___-1661	1.00	2.31	2.75	1.031	2.063	.33	1.560	.413	
AOP-___-2061	1.25	2.88	3.12	1.188	2.313	.33	1.750	.469	
AOP-___-2461	1.50	3.25	3.69	1.406	2.750	.33	2.115	.531	
AOP-___-3261	2.00	3.81	4.00	1.688	3.063	.33	2.490	.531	
AOP-___-4061	2.50	4.28	4.50	2.000	3.500	.33	2.995	.531	
AOP-___-4861	3.00	5.16	5.31	2.438	4.188	.33	3.615	.656	
AOP-___-5661	3.50	5.50	6.00	2.750	4.750	.33	4.095	.656	
AOP-___-6461	4.00	6.00	6.38	3.062	5.125	.33	4.595	.656	

CODE 62 ORIFICE PLATE									
PART NO.	PAD SIZE	A	B	C	D	E	F	G	H DIA.
AOPX-___-0862	.50	1.94	2.19	.718	1.594	.33	1.000	.354	CUSTOMER SPECIFIED
AOPX-___-1262	.75	2.50	2.81	.937	2.000	.33	1.250	.433	
AOPX-___-1662	1.00	2.75	3.19	1.093	2.250	.33	1.560	.531	
AOPX-___-2062	1.25	3.06	3.75	1.250	2.625	.33	1.750	.610	
AOPX-___-2462	1.50	3.75	4.44	1.437	3.125	.33	2.115	.689	
AOPX-___-3262	2.00	4.50	5.25	1.750	3.812	.33	2.490	.866	



FLOW, NEEDLE & CHECK VALVES

HYDRAULIC BALL VALVES

WELD COUPLINGS

FLANGES

Ordering Information

AOP - 0.500 - 32 61

